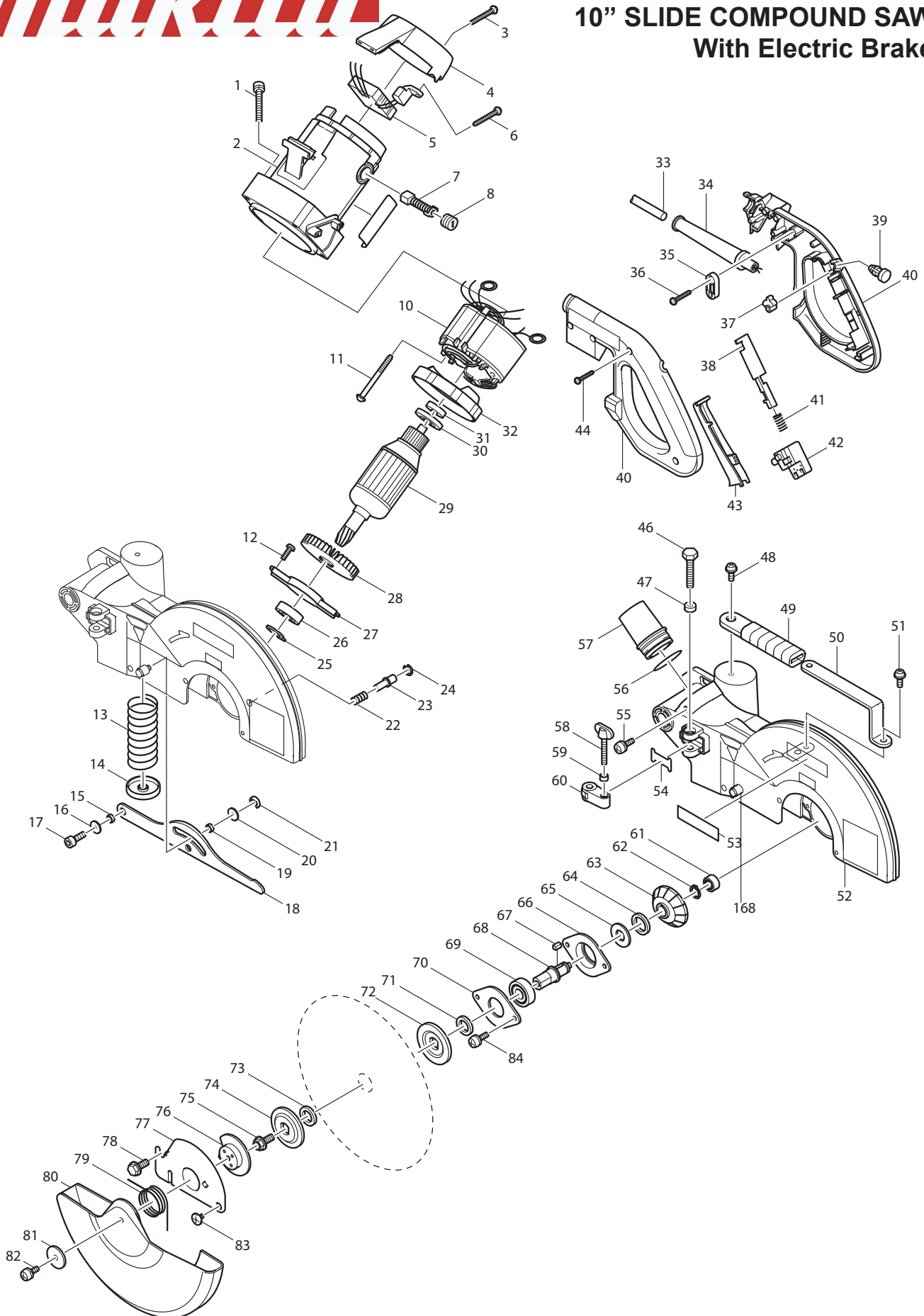


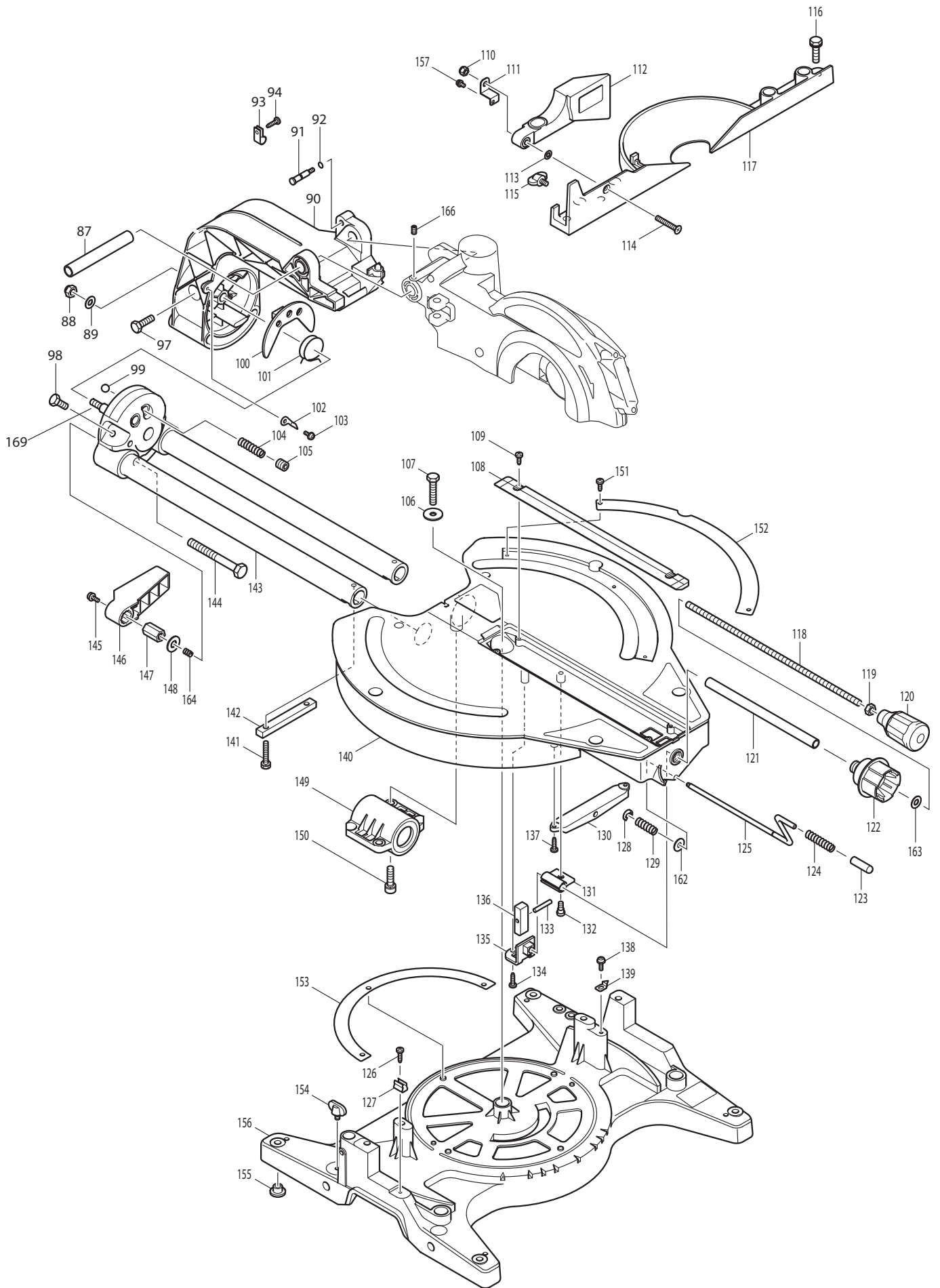


03 - 2010

LS1013

# 10" SLIDE COMPOUND SAW With Electric Brake





Item No	Type	Ref	Part No	Description	Qty	Unit
1			911373-5	PAN HEAD SCREW M6X50	4	PC.
2			159963-8	MOTOR HOUSING COMPLETE	1	PC.
		INC.	643660-1	BRUSH HOLDER 6.5-13.5	2	PC.
		INC.	817881-3	CAUTION LABEL	1	PC.
3			265995-6	TAPPING SCREW 4X18	2	PC.
4			416075-3	REAR COVER	1	PC.
5			631218-8	CONTROLLER	1	PC.
6			265995-6	TAPPING SCREW 4X18	1	PC.
7	1		181047-4	CARBON BRUSH CB-154 2PCS/SET W/O ORIGIN - N/L/A	1	SET
	2		194986-9	CARBON BRUSH CB-154 2PC/SET W/ ORIGIN	1	SET
8			643650-4	BRUSH HOLDER CAP 6.5-13.5	2	PC.
10			596141-3	FIELD ASS'Y 115V	1	PC.
		INC.	654020-2	RING TERMINAL	2	PC.
		INC.	654502-4	CONNECTOR P-2	2	PC.
11			266029-8	TAPPING SCREW 5X65	2	PC.
12			911223-4	PAN HEAD SCREW M5X16	2	PC.
13			233165-5	COMPRESSION SPRING 28	1	PC.
14			344464-1	SPRING HOLDER	1	PC.
15			257163-5	RING 6	1	PC.
16			253804-1	FLAT WASHER 6	1	PC.
17			922331-6	HEX. SOCKET HEAD BOLT M6X20	1	PC.
18			344415-4	LINK PLATE	1	PC.
19			257163-5	RING 6	1	PC.
20			253804-1	FLAT WASHER 6	1	PC.
21			961018-5	STOP RING E-5	1	PC.
22			231240-1	COMPRESSION SPRING 7	1	PC.
23			256633-1	PIN 6	1	PC.
24			231928-3	RING SPRING 8	1	PC.
25			961057-5	RETAINING RING S-17	1	PC.
26	1		211275-8	BALL BEARING 6003DDW	1	PC.
	2		210301-0	BALL BEARING 6003DDW	1	PC.
27			285686-3	BEARING RETAINER 94	1	PC.
28			240001-8	FAN 80	1	PC.
29			516721-9	ARMATURE ASS'Y 115V	1	PC.
		INC.		Item No. 28,30,31		
30			681642-5	INSULATION WASHER	1	PC.
31			211061-7	BALL BEARING 6000LLB	1	PC.
32			416107-6	BAFFLE PLATE	1	PC.
33			664463-0	CORD W/PLUG 2P-14-2.5M, SJ	1	PC.
34			682505-8	CORD GUARD 10-90	1	PC.
35			687052-4	STRAIN RELIEF	1	PC.
36			265995-6	TAPPING SCREW 4X18	2	PC.
37			414546-4	CAM	1	PC.
38			416000-4	LOCK OFF LEVER	1	PC.
39			411478-6	SWITCH BUTTON	1	PC.
40			182911-2	HANDLE SET	1	SET
		INC.	810642-0	CAUTION LABEL	1	PC.
41			231457-6	COMPRESSION SPRING 3	1	PC.
42			651923-1	SWITCH TG70B	1	PC.
43			415999-0	SWITCH LEVER	1	PC.
44			265995-6	TAPPING SCREW 4X18	6	PC.
46			921467-8	HEX. BOLT M8X45	1	PC.
47			262003-4	RUBBER RING 6	1	PC.
48			911323-0	PAN HEAD SCREW M6X16	1	PC.
49			421562-9	GRIP	1	PC.
50			344420-1	GRIP HOLDER	1	PC.

Item No	Type	Ref	Part No	Description	Qty	Unit
51			911323-0	PAN HEAD SCREW M6X16	1	PC.
52	4		188373-2	* BLADE CASE SET	1	SET
		INC.	263005-3	* RUBBER PIN 6	1	PC.
		INC.	816847-0	* OPERATIONAL INDICATION LABEL	1	PC.
		INC.	817874-0	* CAUTION LABEL	1	PC.
		INC.		* Item No. 53 - (MAKITA LOGO LABEL #819214-8)		
53	4		819214-8	* MAKITA LOGO LABEL	1	PC.
54			344045-1	STOPPER ARM PLATE	1	PC.
55			911113-1	PAN HEAD SCREW M4X10	1	PC.
56			213460-9	O RING 35	1	PC.
57			419277-0	DUST NOZZLE (ABS-CD) (OLD#416133-5- N/L/A)	1	PC.
58			265717-4	SCREW M6X43	1	PC.
59			262001-8	URETHANE RING 5	1	PC.
60			317176-9	STOPPER ARM	1	PC.
61			211021-9	BALL BEARING 607LLB	1	PC.
62			961054-1	RETAINING RING S-14	1	PC.
63			226742-0	SPIRAL BEVEL GEAR 33	1	PC.
64			262074-1	RUBBER RING 20	1	PC.
65			267035-6	FLAT WASHER 14	1	PC.
66			316836-0	BEARING BOX (A)	1	PC.
67			254202-2	KEY 4	1	PC.
68			322899-6	SPINDLE	1	PC.
69	1		211275-8	BALL BEARING 6003DDW	1	PC.
	2		210301-0	BALL BEARING 6003DDW	1	PC.
70			285828-9	BEARING RETAINER 66	1	PC.
71			257022-3	RING 16	1	PC.
72			224333-1	FLANGE 53	1	PC.
73			257060-5	RING 15.8	1	PC.
74			224333-1	FLANGE 53	1	PC.
75			265355-2	HEX. FLANGE HEAD BOLT M8X20	1	PC.
76			343639-9	CENTER PLATE	1	PC.
77			344380-7	CENTER COVER	1	PC.
78			265324-3	HEX. FLANGE HEAD BOLT M8X12	1	PC.
79			231593-8	TORSION SPRING 36	1	PC.
80			450047-8	* SAFETY COVER (OLD# 416105-0 - N/L/A)	1	PC.
81			267136-0	FLAT WASHER 5	1	PC.
82			911213-7	PAN HEAD SCREW M5X12	1	PC.
83	2		265008-3	* + FLAT HEAD SCREW K5	1	PC.
84			911223-4	PAN HEAD SCREW M5X16	2	PC.
85			265406-1	* HEX. BOLT M10X130 (OLD)	1	PC.
86			253024-7	* FLAT WASHER 10 (OLD)	1	PC.
87			331428-4	PIN 16-113	1	PC.
88			252105-4	HEX. LOCK NUT M8-13	1	PC.
89			941201-0	FLAT WASHER 8	1	PC.
90	4		154779-6	* ARM COMPLETE	1	PC.
		INC.	816787-2	* INDICATION LABEL	1	PC.
91			322317-4	STOPPER PIN	1	PC.
92			213021-5	O RING 5	1	PC.
93	2		687095-6	STRAIN RELIEF	1	PC.
94			266026-4	TAPPING SCREW BIND CT 4X12	1	PC.
95			252130-5	* HEX. LOCK NUT M10-17 (OLD)	1	PC.
96			253024-7	* FLAT WASHER 10 (OLD)	1	PC.
97			265371-4	HEX. BOLT M8X30	2	PC.
98			265412-6	HEX. BOLT M8X20	2	PC.
99			216003-6	STEEL BALL 10	2	PC.
100	2		345418-1	* GUIDE PLATE	1	PC.

Item No	Type	Ref	Part No	Description	Qty	Unit
101			231626-9	TORSION SPRING 28	1	PC.
102			413067-3	INDICATION PLATE	2	PC.
103			911113-1	PAN HEAD SCREW M4X10	2	PC.
104			233168-9	COMPRESSION SPRING 5	2	PC.
105			266131-7	H.S.SET SCREW(FLATPOINT)M12X12	2	PC.
106			253852-0	FLAT WASHER 8	1	PC.
107			265442-7	HEX. BOLT M8X40	1	PC.
108			415209-5	KERF BOARD (OLD# 416886-6 - N/L/A)	2	PC.
109			266026-4	TAPPING SCREW BIND CT 4X12	4	PC.
110			252014-7	HEX. LOCK NUT M6-10	1	PC.
111			344463-3	SUB FENCE PLATE	1	PC.
112	2		150711-8	* SUB FENCE COMPLETE	1	PC.
		INC.	810858-7	* CAUTION LABEL	1	PC.
113			253715-0	FLAT WASHER 6	1	PC.
114			912357-6	COUNTERSUNK HEAD SCREW M6X35	1	PC.
115			251887-5	SCREW M6X10	1	PC.
116			921451-3	HEX. BOLT M8X30	4	PC.
117	3		316840-9	* GUIDE RULE	1	PC.
118			266132-5	SCREW M8X320	1	PC.
119			931402-8	HEX. NUT M8	1	PC.
120	2		271314-6	* GRIP 40	1	PC.
121			331491-7	PIN 9-200	1	PC.
122			152541-3	KNOB 48 COMPLETE	1	PC.
123			421563-7	CAP 10	1	PC.
124			322924-3	COIL SPRING	1	PC.
125			322909-9	LOCK PIN	1	PC.
126			266034-5	TAPPING SCREW CT 4X16	1	PC.
127			232075-3	LEAF SPRING	1	PC.
128			961018-5	STOP RING E-5	1	PC.
129			231307-5	COMPRESSION SPRING 6	1	PC.
130			316899-6	PIN HOLDER	1	PC.
131			344411-2	SLIDE STOPPER	1	PC.
132			251267-5	+ PAN HEAD SCREW K6	1	PC.
133			256196-7	PIN 5	1	PC.
134			266034-5	TAPPING SCREW CT 4X16	1	PC.
135			344412-0	STOPPER HOLDER	1	PC.
136			331493-3	TURN STOPPER	1	PC.
137			266034-5	TAPPING SCREW CT 4X16	2	PC.
138			266026-4	TAPPING SCREW BIND CT 4X12	1	PC.
139			816128-2	POINTER	1	PC.
140			153832-5	* TURN BASE COMPLETE	1	PC.
		INC.	211444-1	* LINEAR BALL BEARING 3064	1	PC.
		INC.	219002-7	* BEARING 30	1	PC.
		INC.	262048-2	* FELT RING 30	2	PC.
		INC.	263005-3	* RUBBER PIN 6	1	PC.
		INC.	343676-3	* CAP	1	PC.
		INC.	817283-3	* CAUTION LABEL	2	PC.
141			921356-7	HEX. BOLT M6X35	2	PC.
142			152542-1	SQUARE ROD COMPLETE	1	PC.
		INC.	263005-3	RUBBER PIN 6	1	PC.
143	2		151459-5	* ARM HOLDER COMPLETE	1	PC.
		INC.	816771A7	* BEVEL SCALE LABEL (OLD# 816771-7)	1	PC.
144			251668-7	HEX. BOLT M10X90	1	PC.
145			911113-1	PAN HEAD SCREW M4X10	1	PC.
146			416006-2	LEVER 100	1	PC.
147			252144-4	HEX. NUT M10-17	1	PC.

Item No	Type	Ref	Part No	Description	Qty	Unit
148			253024-7	FLAT WASHER 10	1	PC.
149			152540-5	BEARING BOX B COMPLETE	1	PC.
		INC.	211444-1	LINEAR BALL BEARING 3064	1	PC.
		INC.	262048-2	FELT RING 30	2	PC.
		INC.	343676-3	CAP	2	PC.
		INC.	316837-8	BEARING BOX (B)	1	PC.
150			922451-6	HEX. SOCKET HEAD BOLT M8X30	2	PC.
151			266026-4	TAPPING SCREW BIND CT 4X12	2	PC.
152			816326A8	MITER SCALE PLATE (OLD# 816326-8 - N/L/A)	1	PC.
153			344477-2	SLIDE PLATE	2	PC.
154			251887-5	SCREW M6X10	2	PC.
155			286212-1	CAP 20	4	PC.
156	3		153837-5	* BASE COMPLETE	1	PC.
		INC.	817838-4	* CAUTION LABEL	1	PC.
157			911108-4	PAN HEAD SCREW M4X8	1	PC.
162			253804-1	FLAT WASHER 6	1	PC.
163			941201-0	FLAT WASHER 8	1	PC.
164			231266-3	COMPRESSION SPRING 5	1	PC.
166			251961-9	* H.S.SET SCREW(FLAT POINT)M6X10	1	PC.
167			941202-8	* FLAT WASHER 8	4	PC.
168			322316-6	LINK SHAFT (F/BLADE CASE COM.) (Special Order Item)	1	PC.
169			322912-0	CENTER SHAFT (F/ARM HOLDER COM.) (Special Order Item)	1	PC.
200			654510-5	CLSD END TERM.5.5-SD	2	PC.

#### **ACCESSORIES**

- See catalogue or visit [www.makita.ca](http://www.makita.ca) for other optional accessories -

A01			762001-3	TRIANGULAR RULE	1	PC.
A02			782212-4	SOCKET WRENCH 13	1	PC.
A03			122523-9	DUST BAG ASS'Y	1	PC.
		INC.	410602-8	FASTENER	1	PC.
A04			411478-6	SWITCH BUTTON (SPARE)	2	PC.
A05			322932-4	HOLDER 255	2	PC.
A06			122538-6	VERTICAL VISE ASS'Y	1	PC.
		INC.	316898-8	VISE ARM	1	PC.
		INC.	251887-5	SCREW M6X10	1	PC.
		INC.	322983-7	VISE ROD	1	PC.
		INC.	271309-9	KNOB 40	1	PC.
		INC.	253804-1	FLAT WASHER 6	1	PC.
		INC.	343651-9	VISE PLATE	1	PC.
		INC.	251370-2	+ PAN HEAD SCREW I5	1	PC.
A07	2		A-93550	10" C.T SAW BLADE 70T (5/8" ARBOR)	1	PC.
	3		A-93675	10" C.T SAW BLADE 60T (5/8" ARBOR)	1	PC.
A08			122470-4	HORIZONTAL VISE ASSY	1	PC.
		INC.	271297-0	KNOB 45	1	PC.
		INC.	344099-8	GUARD PLATE	1	PC.
		INC.	253744-3	WASHER	1	PC.
		INC.	253047-5	WASHER	1	PC.
		INC.	911317-5	SCREW M6 X 14	1	PC.
		INC.	286236-7	CAP	1	PC.
		INC.	322209-7	VICE NUT	1	PC.
		INC.	154431-6	VICE ARM COM (Special Order Item)	1	PC.
		INC.	316952-8	VICE PLATE (Special Order Item)	1	PC.
A09			194002-7	SUB FENCE, R COM.	1	PC.
		INC.	251887-5	SCREW M6 X 10	2	PC.
A10			192628-9	CROWN MOLDING STOPPER SET (2PC/SET)	1	SET
A11			416368-8	ELBOW	1	PC.
A12			191687-A	MAKITA SAFETY GLASSES - N/L/A	1	PC.

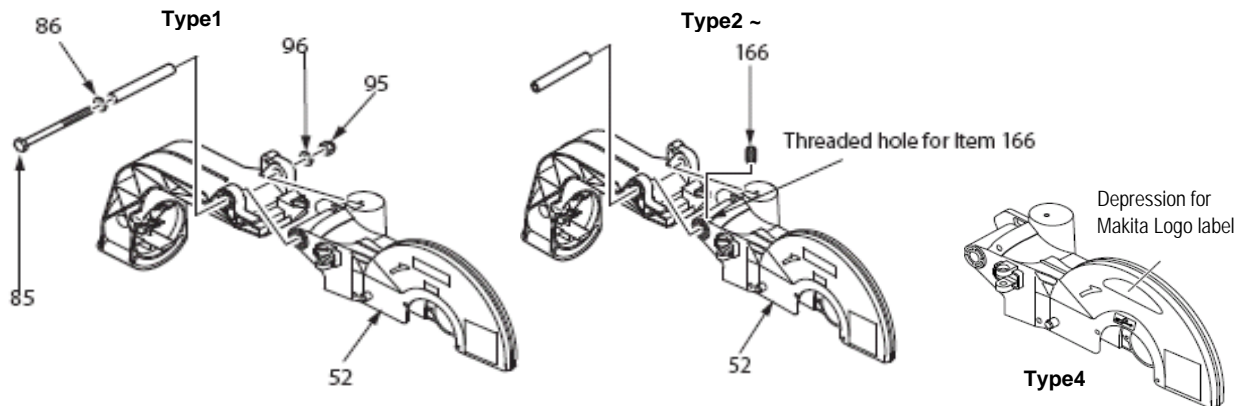
Item No	Type	Ref	Part No	Description	Qty	Unit
A13			193051-1	KERF BLOCK SET	1	PC.
A14			194061-1	BENCHTOP MITER SAW STAND (See Partsbreakdown 194061-1)	1	PC.
A15			194943-7	SLIDE MITRE SAW STAND SET (See Partsbreakdown 194943-7)	1	PC.
A16			194175-6	DUST BOX (See Parts breakdown 194175-6)	1	PC.

## SERVICE CHANGES

### 1. Changes on Blade Case Complete

Item No.	Description	Type 1	Type 2	Type 3	Type 4
52	Blade Case Com./ Blade Case Set	151485-4 (N/L/A)	153597-9 (N/L/A)	153876-5	188373-2
		Silver		Yellowish gray	
53	Makita Mark / Logo	819064-1			819214-8
85	Hex.Bolt M10x130	265406-1	-----		
86	Flat Washer 10	253024-7	-----		
95	Hex.Lock Nut M10x17	252130-5	-----		
96	Flat Washer 10	253024-7	-----		
166	H.S.H Bolt M6x10	-----	251961-9		
83	H.S.H Bolt / Screw	265985-9 (H.S.H Bolt M6)		265008-3 (Flat Head Screw M5)	

Above parts are completely interchangeable as a set.



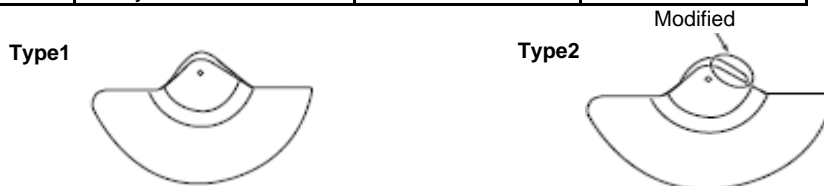
### 2. Changes of Color

Item No.	Description	Silver		Yellowish gray
		317182-4 (N/L/A)	316839-4 (N/A)	316839-4 (N/L/A)
90	Arm	317182-4 (N/L/A)	316839-4 (N/A)	316839-4 (N/L/A)
	Arm Complete	152970-0 (N/A)		153838-3 (N/A)
140	Turn Base Com.	151483-8 (N/L/A)		153832-5
143	Arm Holder Complete	151482-0 (N/L/A)		151459-5
156	Base Com.	151574-5 (N/L/A)	152648-5 (N/L/A)	153837-5
112	Sub Fence Com	151573-7 (N/L/A0)		150711-8
117	Guide Rule	317183-2 (N/L/A)		316840-9

### 3. Changes on Safety Cover

(T/I# 78289)

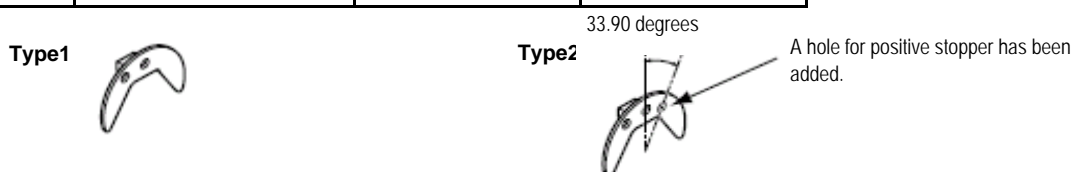
Item No.	Description	Type 1	Type 2
80	Safety Cover	416105-0 (N/L/A)	450047-8



### 4. Changes on Guide Plate

(T/I# 70955)

Item No.	Description	Type 1	Type 2
100	Guide Plate	344414-6	345418-1

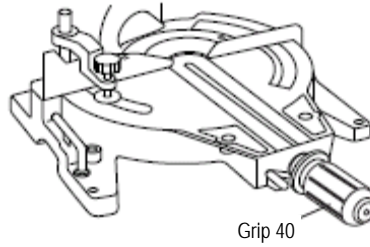
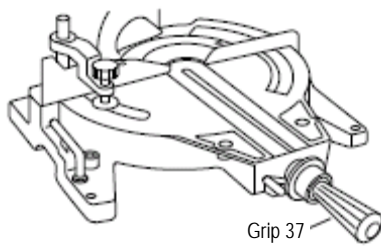


## SERVICE CHANGES

### 5. Changes on Grip

(T/I# 63947)

Item No.	Description	Type 1	Type 2
120	Grip 37 / 40	273444-9	271314-6



### 6. Addition of Flat Washer 8

(T/I# 74562)

Item No.	Description	Type 1	Type 2
167	Flat Washer 8	-----	941202-8

